

# FAÇADE CLADDING





## Contents

---

WHY FAÇADE CLADDING?	8
HORIZONTAL DESIGN – LINIUS	15
VERTICAL DESIGN – LINARTE	29
GENERAL	63

## The ultimate combination of design and durability.

When developing our façade cladding, Renson paid a lot of attention to design, personalisation and high-quality finishing. This means you can design your façade cladding according to your own taste. Whether you choose a horizontal or vertical arrangement, our façade cladding fits effortlessly with various styles, from classic to modern and contemporary.

Thanks to this flexibility, you can create a unique, stylish, elegant and contemporary look for both your home and your business premises. Our façade cladding ensures garage doors and doors blend harmoniously into one sleek façade surface. Functional elements such as mailboxes, intercoms, or doorbells are seamlessly integrated. Even curved façades are possible thanks to the individual profiles, making the unique design possible following a random principle. Which is only possible with our façade cladding. In addition to external applications, our façade cladding is also suitable for interior applications.

Simple and flexible installation was paramount in our design, with invisible mountings that not only ensure a sleek design but also allow for thermal expansion.

Here at Renson, we strive for durability, and this applies equally to our aluminium façade cladding. In addition to being wear-resistant, this cladding is resistant to all weather conditions. Light yet strong, and above all extremely easy to maintain.



THANKS TO THE EASY CLICK SYSTEM,  
THE POSSIBILITIES ARE LIMITLESS

# WHY FAÇADE CLADDING?



## Façade, outside & inside

1

### Design façade cladding

Outside, Linius or Linarte gives an extra accent to a façade and can be perfectly combined with other materials for a unique look and feel that can also extend into the interior. Are you looking for a unique façade? Give free rein to your creativity with the Linarte wood finish or inserts with wood or LED modules.

2

### Total concept

If you want an aesthetically uniform appearance, you can integrate a garden fence, (sliding) gate, patio cover and other technology with the façade cladding. In addition, you can finish it all off with the characteristic Linarte finish garden elements to tie it all together. The result? One style that you can extend throughout your entire home and garden, which guarantees a timeless and uniform look

3

### Unique interior

Renson's aluminium cladding can not only be used as exterior façade cladding, but also used inside to add an extra dimension to a wall. You can blend both seamlessly. The high-quality materials means it is even possible to cover a stairwell with, for example, Linarte profiles



## Horizontal façade cladding LINIUS®

LINIUS® L.033

PAG. 17



## Vertical façade cladding LINARTE®

LINARTE® BLOCK 16 / BLOCK 16L

PAG. 31



LINARTE® BLOCK 25

PAG. 33



LINARTE® EVEN

PAG. 35



LINARTE® CONE

PAG. 37





Linius®

## HORIZONTAL DESIGN LINIUS®

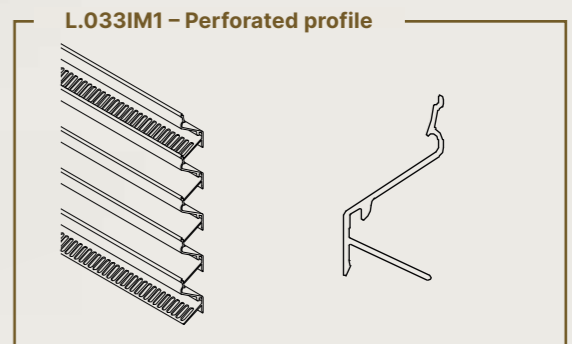
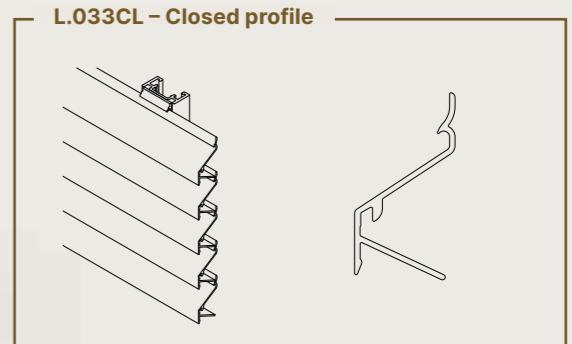
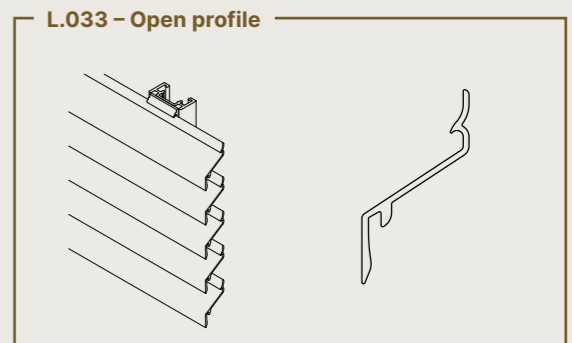
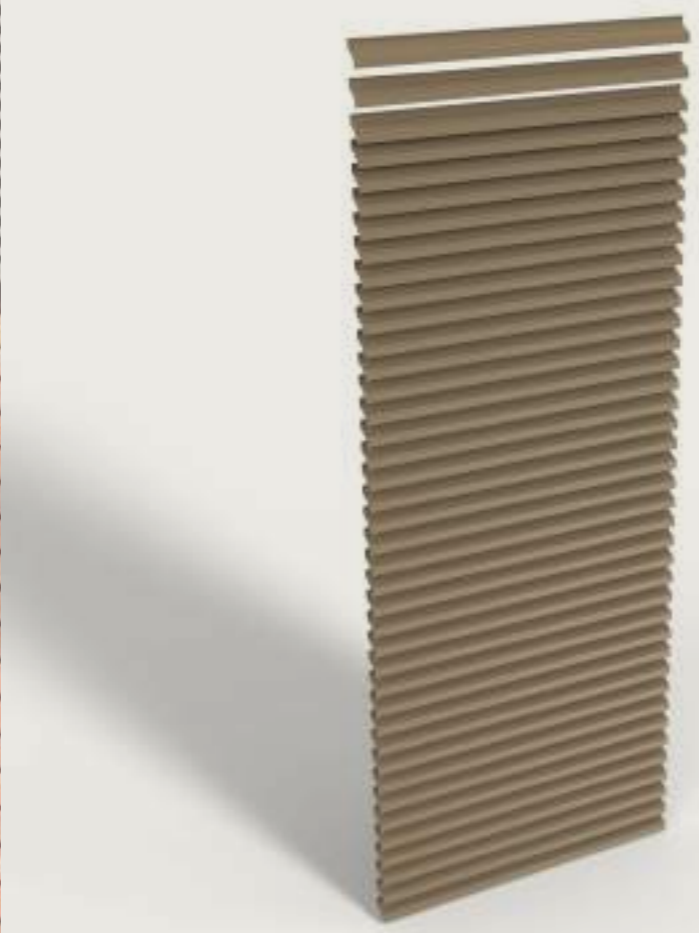
The Linius system has the possibility of finishing façades or parts of the façades with a horizontal accent. Even gates or doors can be covered with the same profiles to create a seamless connection with the rest of the façade and provide a uniform whole. The façade system consists of individual aluminium profiles, available in different designs. Depending on the application, you can opt for fully closed or ventilated systems.





## LINIUS® L.033

The Z-shaped Linus L.033 profiles are 20 mm deep. They give your façade a strong horizontal accent, sober and refined, with or without ventilation.



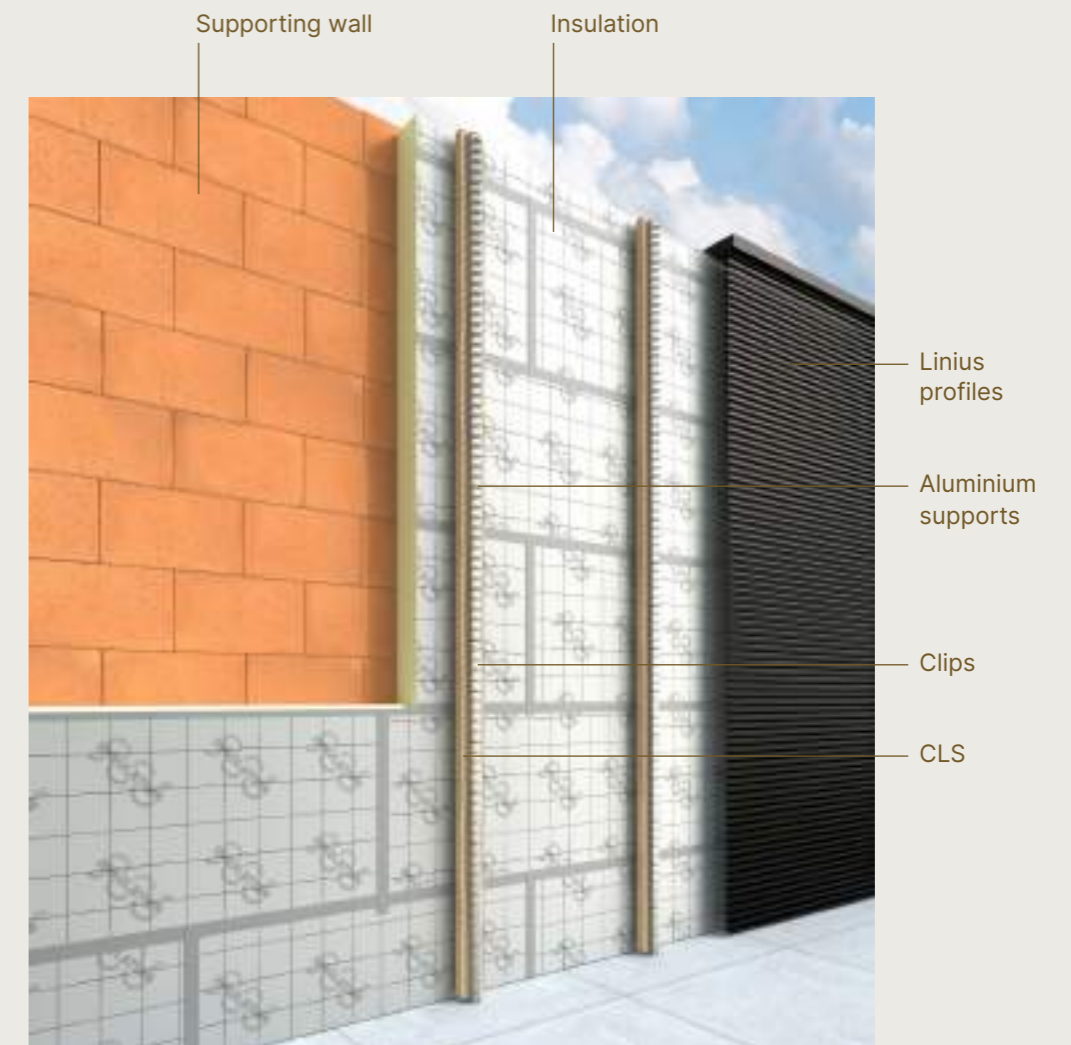


LINIUS®

# APPLICATIONS



## System structure





## Gates & doors

### Finger-trapping protection system

Renson has developed a mechanical finger-trapping protection system to ensure the garage door closes safely. This safety system meets European standards, which means you can use your garage door with peace of mind.

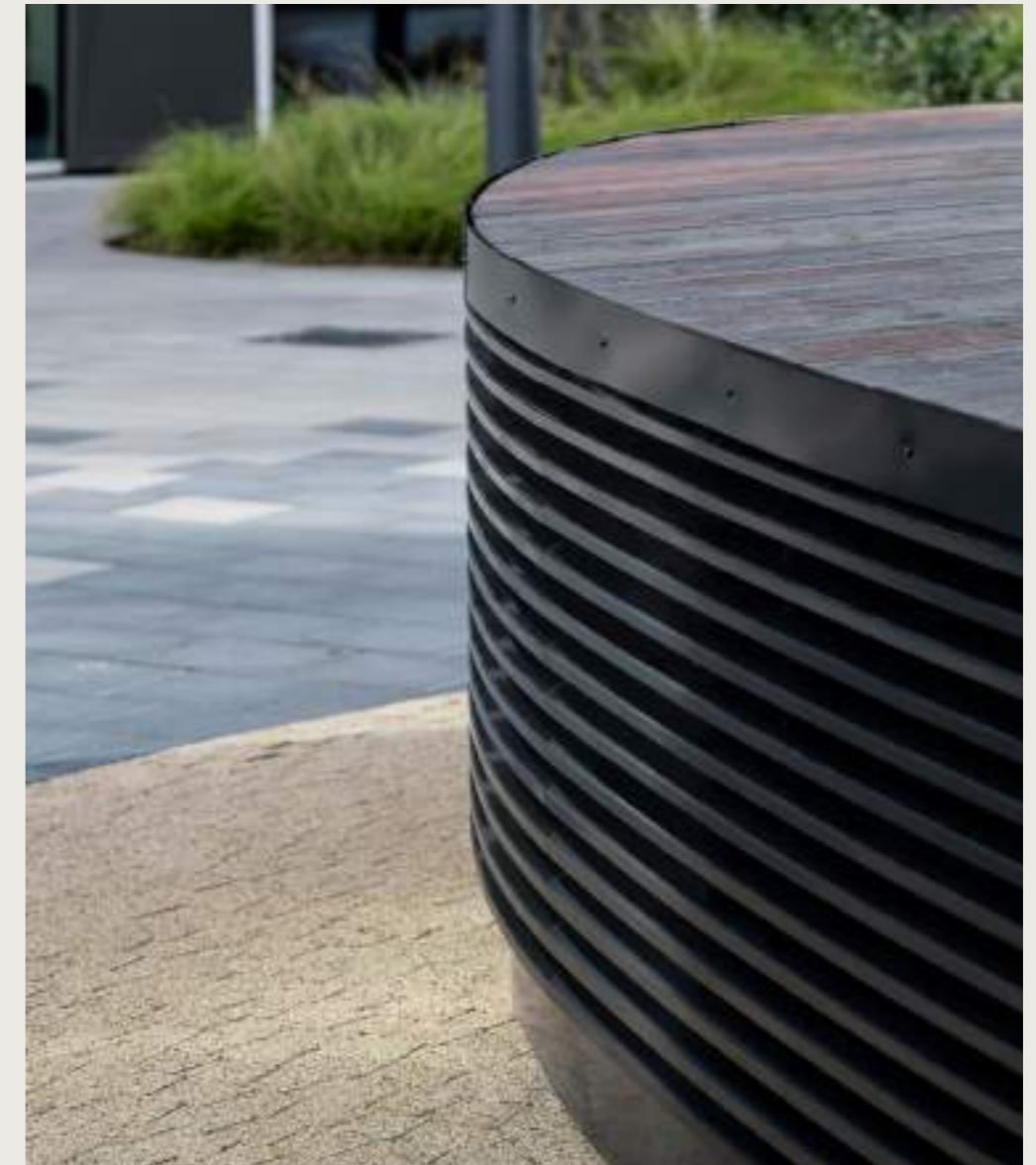


## Semi-open cladding

Let the horizontal Linius lines continue seamlessly over an opening or window in the façade. This not only integrates the window in a subtle way, but also filters the light, creating an intimate atmosphere.



## Curved walls



The individual profiles even make it possible to use Linarte to finish curved façades with a minimum radius of 800 mm.

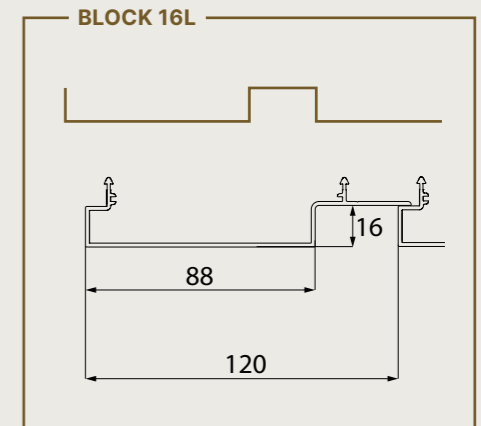
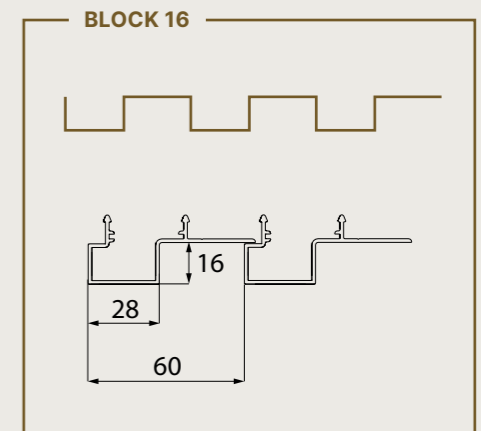
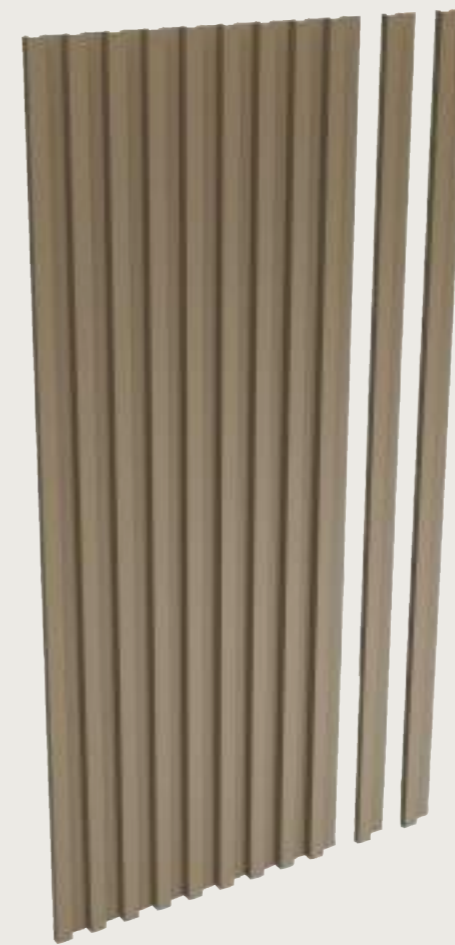
# VERTICAL DESIGN LINARTE®

The Linarte profiles let you finish façades or parts thereof into a sleek whole with vertical profiles, both inside and outside and even under canopy covers. Gates or doors can also be covered with the same profiles, which means they will blend seamlessly into a uniform façade. The façade system consists of individual aluminium profiles that are available in different designs, making reveal finishes or the integration of different technologies incredibly easy. Moreover, they can be endlessly personalised with a wood design and inserts in wood or LED modules.



## LINARTE® BLOCK 16 / 16L

The basic version of the Linarte BLOCK-shaped aluminium profile is 16 mm deep. This limited depth creates a subtle vertical play of lines with limited relief and a minimalistic look.

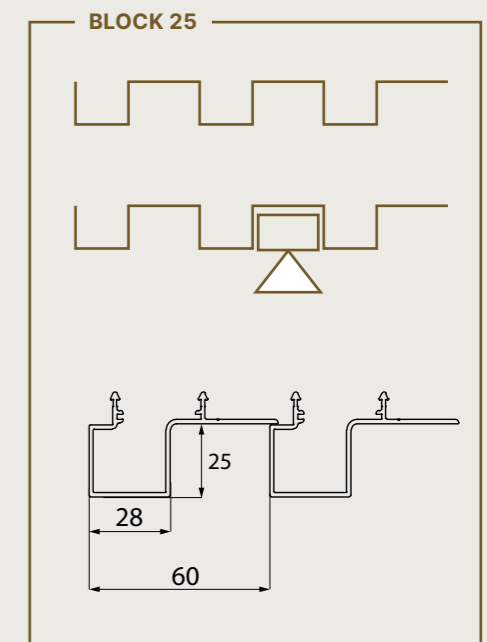






## LINARTE® BLOCK 25

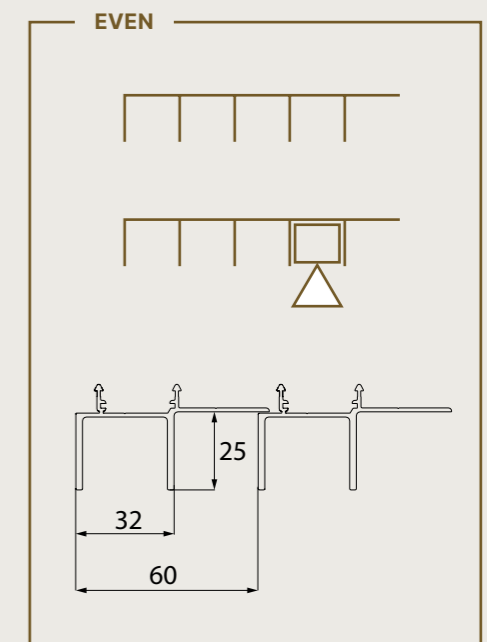
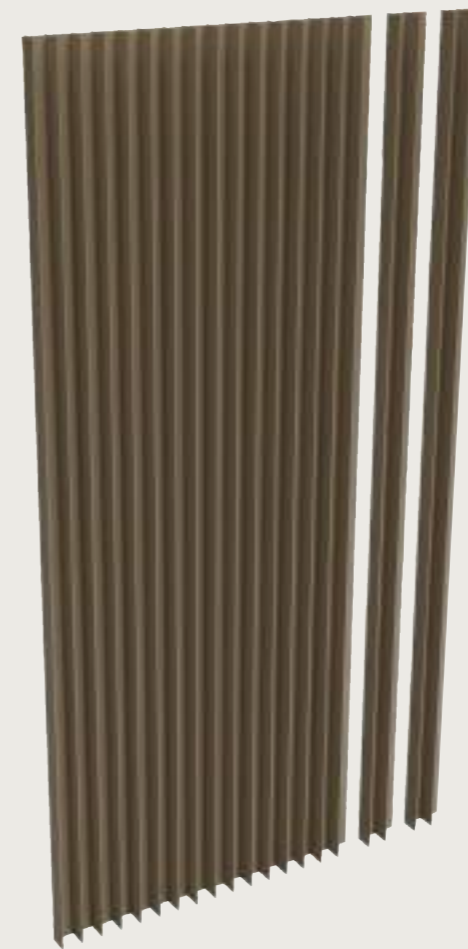
The block-shaped Linarte profile with a depth of 25 mm creates a strong vertical line pattern. This provides striking shadow effects that bring a façade to life. These deep block profiles can be combined with wood or LED module inserts.





## LINARTE® EVEN

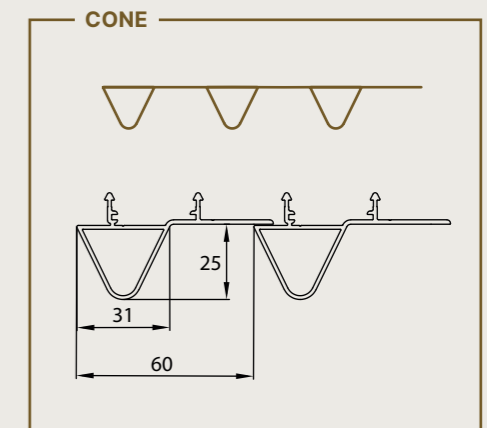
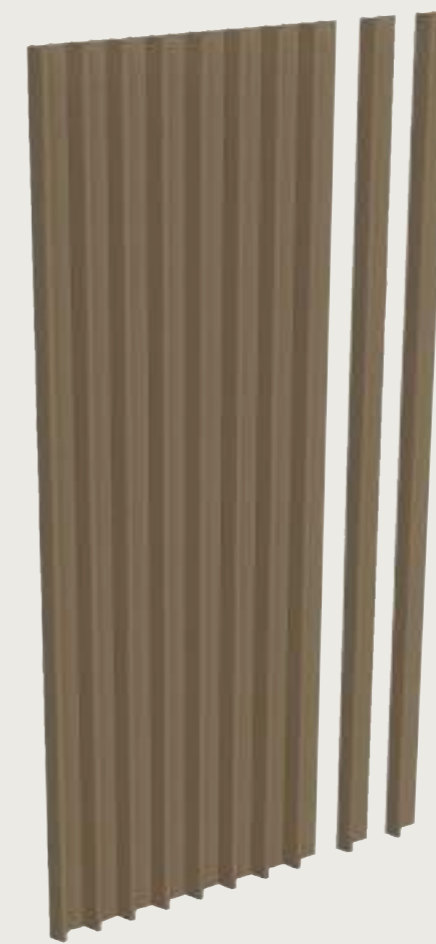
The rib-shaped EVEN profile that is 25 mm deep provides the sleekest Linarte result and emphasises the façade's vertical lines to the utmost. These profiles can also be combined with inserts in wood or LED modules.





## LINARTE® CONE

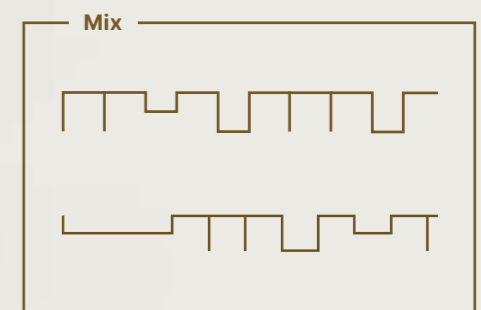
CONE is the cone-shaped version of Linarte. These aluminum profiles are 25 mm deep and 60 mm wide and fit perfectly into the current trend of aluminum windows that imitate the authentic design of classic steel windows. The Linarte CONE profiles can be combined with infills in wood or LED modules.





## LINARTE® MIX

All Linarte profiles can be combined with each other. This means five different options that can be combined endlessly. Let your creativity run free and start putting the puzzle together with the BLOCK 16, BLOCK 16L, BLOCK 25, EVEN and CONE. Create a unique play of shadow and light and develop a façade with character.





LINARTE®

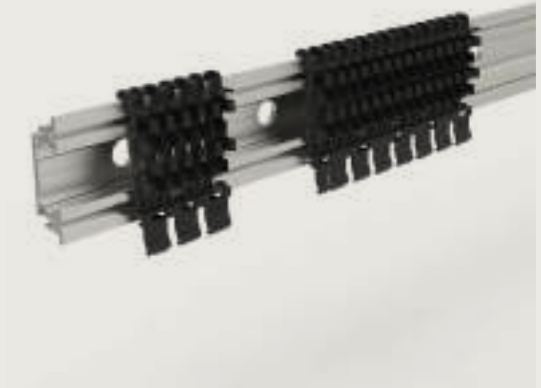
# APPLICATIONS & PERSONALISATION



## System structure

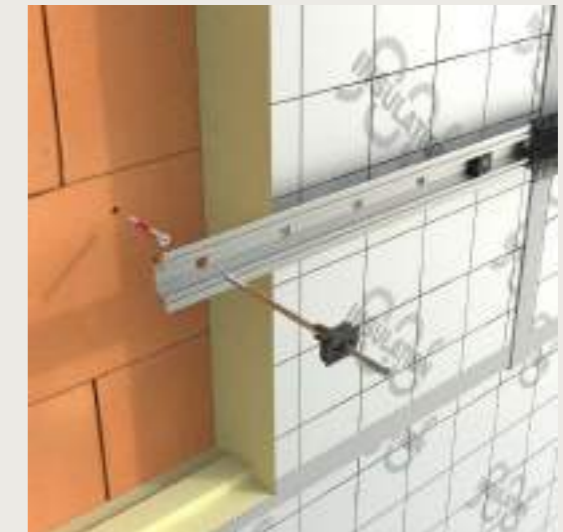
### Linarte® click system

The Linarte profiles are invisibly mounted to patented UPVC clips. This means the profiles can be installed quickly, and thermal expansion is always absorbed. The design creativity is endless, and a high-end finish can be delivered.



### Linarte® direct fixation

The mullions can be directly anchored in the outside wall using patented anchor plugs that connect the spacer screws to the mullion. This saves you costs and placement time compared to traditional drilling works. Moreover, this method is much more sustainable with a minimum number of thermal bridges.



## System structure direct fixation



With the patented fixation system, the mullions can be directly affixed to the substructure. Compared to the traditional system using a wooden support structure, this method is more advantageous because of the lower material cost and quicker installation time. Thanks to the direct fixation, there are fewer thermal bridges, the total system depth is smaller, and you have a more sustainable solution.

## System structure classic (cls/sls)





## Gates and doors

Doors, sectional doors and up-and-over doors can be covered with Linarte and thus integrated almost seamlessly into the façade surface. Our finger-trapping protection system technology ensures your gates not only look elegant, but also meet the highest safety standards. The Linarte range also offers options for a seamless connection for the finishing of windows.



Door finish



Window finish





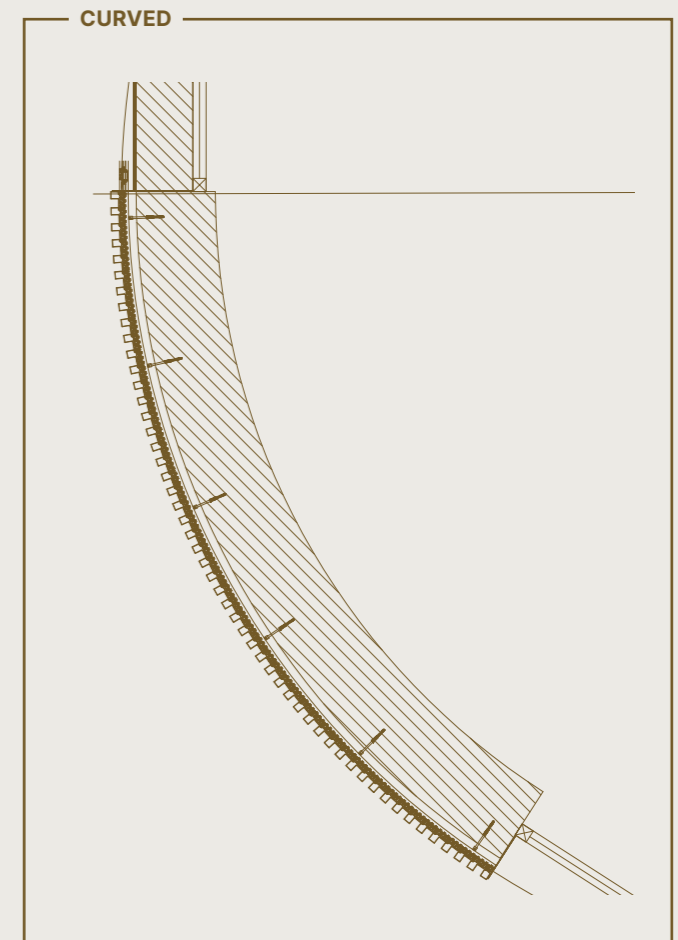
## Semi-open cladding

You can extend vertical Linarte cladding to cover an opening or window in a façade. This way, the window is integrated into the façade so the entering light is filtered, which creates an intimate atmosphere.



## Curved walls

The individual profiles even make it possible to finish curved façades or structures with the different Linarte designs, up to a minimum radius of 1000 mm.





## Wood Design

The Wood Design finishing seamlessly combines the warmth of wood with the durability of aluminium while offering an easy-to-maintain solution that adds value to any project.

The finishing is available in a light Coriander oak and dark Turner oak toffee version, and can be applied to all BLOCK profiles.



Toffee oak



Coriander oak

## Inserts with wood, house numbers or lighting

Wood or LED modules can be incorporated into both the BLOCK 25 and the EVEN profiles. These inserts are available in various lengths and can be integrated into the façade at any desired location: random, tightly aligned or repetitive. This offers countless possibilities to fully customise the finish to your taste. With the EVEN profiles, it is even possible to integrate wooden house numbers.

LINARTE®

Photographer: René van Dongen

**Did you know...** An LED module can be integrated at the bottom of the façade. This indirect accent gives your façade extra cachet.



Garden fencing

LINARTE®





## Harmony in your garden

Your outdoor living space and home are not the only things that share their architectural appearance. Our garden elements let you extend that look and feel easily to your entire outdoor environment.



### MODULO

Linarte Modulo is a versatile garden element. It serves as a customised storage and planter, but is also a garden bench at the same time. Easily customise the Linarte Modulo to suit your needs.



### LINARTE® OUTDOOR LIGHT

Lighting is an undeniable mood maker, especially if it fits perfectly with your home and garden. Uniform LED modules with Linarte EVEN design add stylish lighting to your outdoor environment. Available in two heights and in four different versions, with one or two LEDs, and with or without a power socket.



### ICON

Add partitions or privacy walls with the Linarte Icon. This architectural wall is custom made. One side is covered with Linarte profiles, the other side is finished as desired with a tightly stretched Canvas fabric or with Linarte profiles.



## Integrated technology

Door handle, intercom, electricity socket or water tap are seamlessly integrated into the façade cladding with specially developed modules with blind plate.



Integration of a tap



Integration of a door handle



Integration of an electrical socket



Integration of a videophone



**GENERAL**





## Why choose Renson®?



### MINIMALIST DESIGN

Premium design and innovative technology are combined in products that add architectural value. Maximal integration of elements and components contributes to the sleek, minimalist allure of our solutions.



### ENDLESS CUSTOMISATION OPTIONS

From home to workplace and from rural to modern style. Our Ambassador will gladly help you put together the solution tailored to your needs. Equipped with the functionalities you need and in the style you prefer.



### MINIMUM MAINTENANCE, MAXIMAL ENJOYMENT

During the development of our products, ease of use and maintenance always comes first, whether that's through remote controls via an intuitive app or easy cleaning. Your guarantee for decades of enjoyment with minimum maintenance!



### DURABLE INNOVATION

Advanced engineering contributes to healthy and comfortable living, inside and outside. Our attention to every last detail serves as your guarantee of a long lifespan and a healthy indoor climate thanks to durable, energy efficient solutions, from choice of material to production, logistics and everyday use.



## A finish to your taste

Both the Linius and Linarte profiles are available in different finishes. Renson offers all possible RAL colours, colour anodisation, as well as the new Wood Design finish. For an architectural, contemporary look, a textured coating delivers a certain result as it is better suited for outdoor use and reduces the effect of scratches.



## Guarantee

At Renson®, we exclusively use high-quality materials. This means you can enjoy an extensive guarantee on all parts, leaving you assured about the durability of your façade cladding.

- 5 year product guarantee on all defects arising from normal use and maintenance.
- 10 year paint guarantee for colour fastness on the aluminium parts.
- 10 year guarantee for the Wood Design finish on blistering, flaking, peeling or delamination of the foil
- 5 year guarantee on the gloss of the coated profiles.
- 2 year guarantee on the LED modules

**5**  
YEARS  
GENERAL  
WARRANTY

**10**  
YEARS  
COATING  
WARRANTY

## Maintenance

Façade cladding requires little maintenance. With careful handling, the lifespan of your façade cladding can be expanded by many years.



### Easy maintenance using the Renson® Maintenance Set

Yearly cleaning with the Renson® Maintenance Set will ensure its colour intensity will remain for many years, and will also protect it against acid rain, sea air, and UV radiation. In coastal areas and wooded areas, the min. maintenance required is twice a year.

This set contains 2 products:

- **Renson "Clean"** to clean the aluminium profiles.
- **Renson "Protect"** to protect the aluminium profiles after cleaning. This product applies a protective film that greatly facilitates later cleaning of the surface. It also protects the aluminium against acid rain, sea air and UV rays.



**BUILDING OR RENOVATION PLANS?  
VISIT OUR SHOWROOMS IN BELGIUM**

**NOA – KRUISEM**

Monday to Friday: 9u – 17u00  
1° & 3° Saturday: 10u00 – 14u00  
Schedule an appointment online via [hello@noa-outdoor.com](mailto:hello@noa-outdoor.com)

Polydore Rensonstraat 8 • 9770 Kruisem • Belgium  
[www.noa-outdoor.com](http://www.noa-outdoor.com)

**EXIT 5 – WAREGEM**

Monday to Friday: Monday to Friday: 08:30 – 12:00 and 13:30 – 18:00  
Saturday: 09:00 – 12:00  
Schedule an appointment by phone on +32 56 62 96 87 or online via [www.exit5.be](http://www.exit5.be)

Maalbeekstraat 10 • 8790 Waregem • Belgium  
[www.exit5.be](http://www.exit5.be)

**NY SHOWROOM – USA**

Ernest NY • 255 5th Avenue • 6th Floor • NY 10016  
+1 310 658 4878 • [www.ernestny.com](http://www.ernestny.com)



**SHANGHAI SHOWROOM – CHINA**

No. 33 • Lane 672 • Changle Rd • Jingan District  
Shanghai, China  
Tel: +86 21 6418 2566



**Where do I buy  
Renson® products?**

To guarantee that our high-quality and durable products are also placed professionally, we have built up a network of well-trained Ambassadors and Installers.



These ambassadors have years of experience in the sale and installation of Renson® products. They always stay up to date with the complete range and guarantee the best possible professional assistance.



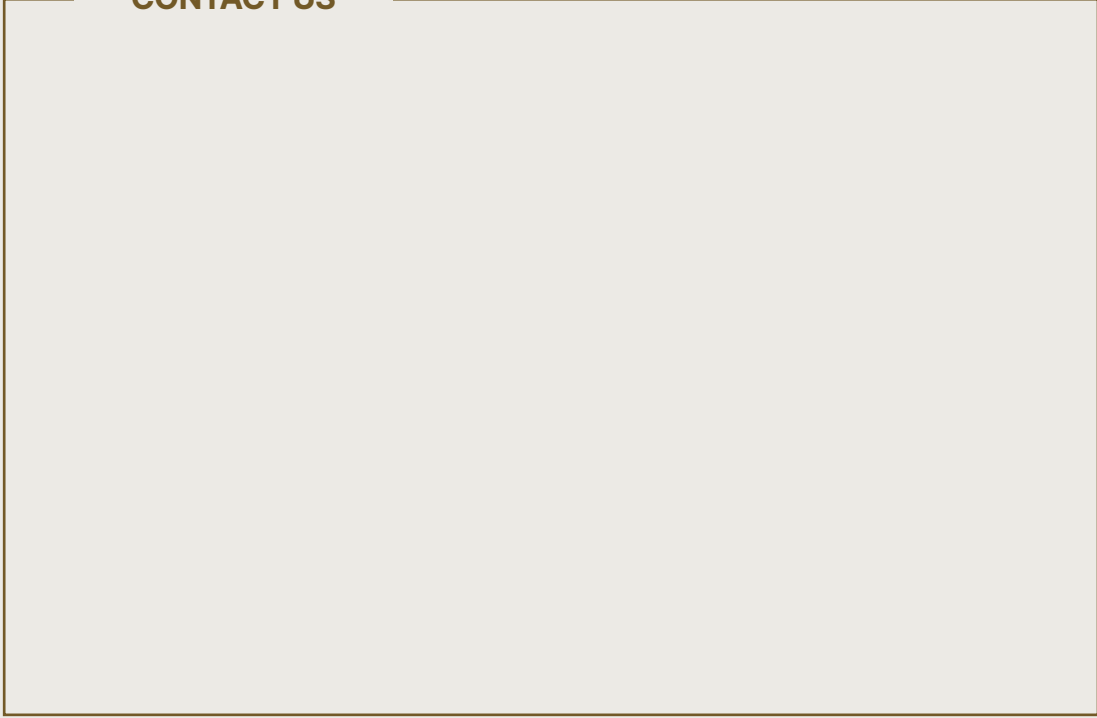
Our Ambassadors can demonstrate our products in their showrooms and ensure that everything is placed professionally and properly. They also guarantee a professional after-sales service.

See <https://renson.net/gd-gb/dealers> for more.

**DOWNLOAD OUR  
OTHER BROCHURES  
WWW.RENSON.NET**



## CONTACT US



All rights reserved. No part of this publication may be reproduced, stored in a retrieval system, or transmitted, in any form or by any means, electronic, mechanical, photocopying, recording, or by any information storage and retrieval system, without the prior written permission of the publisher.

